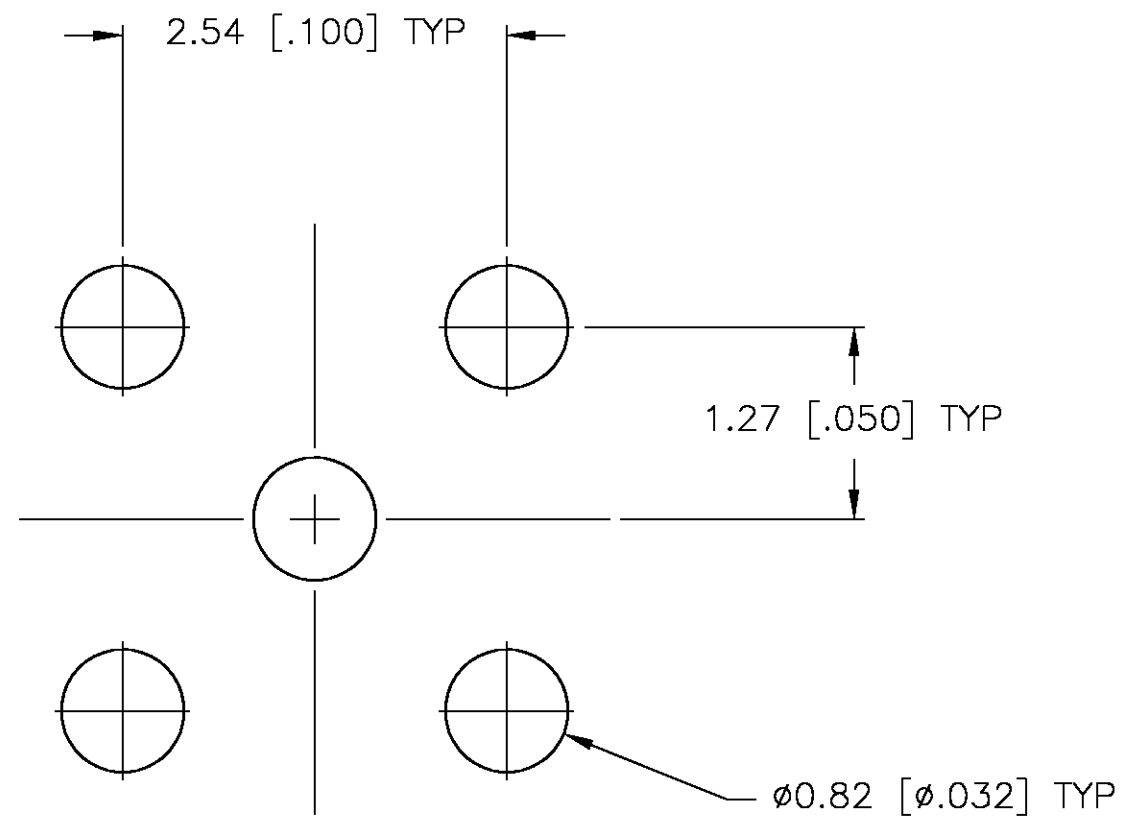
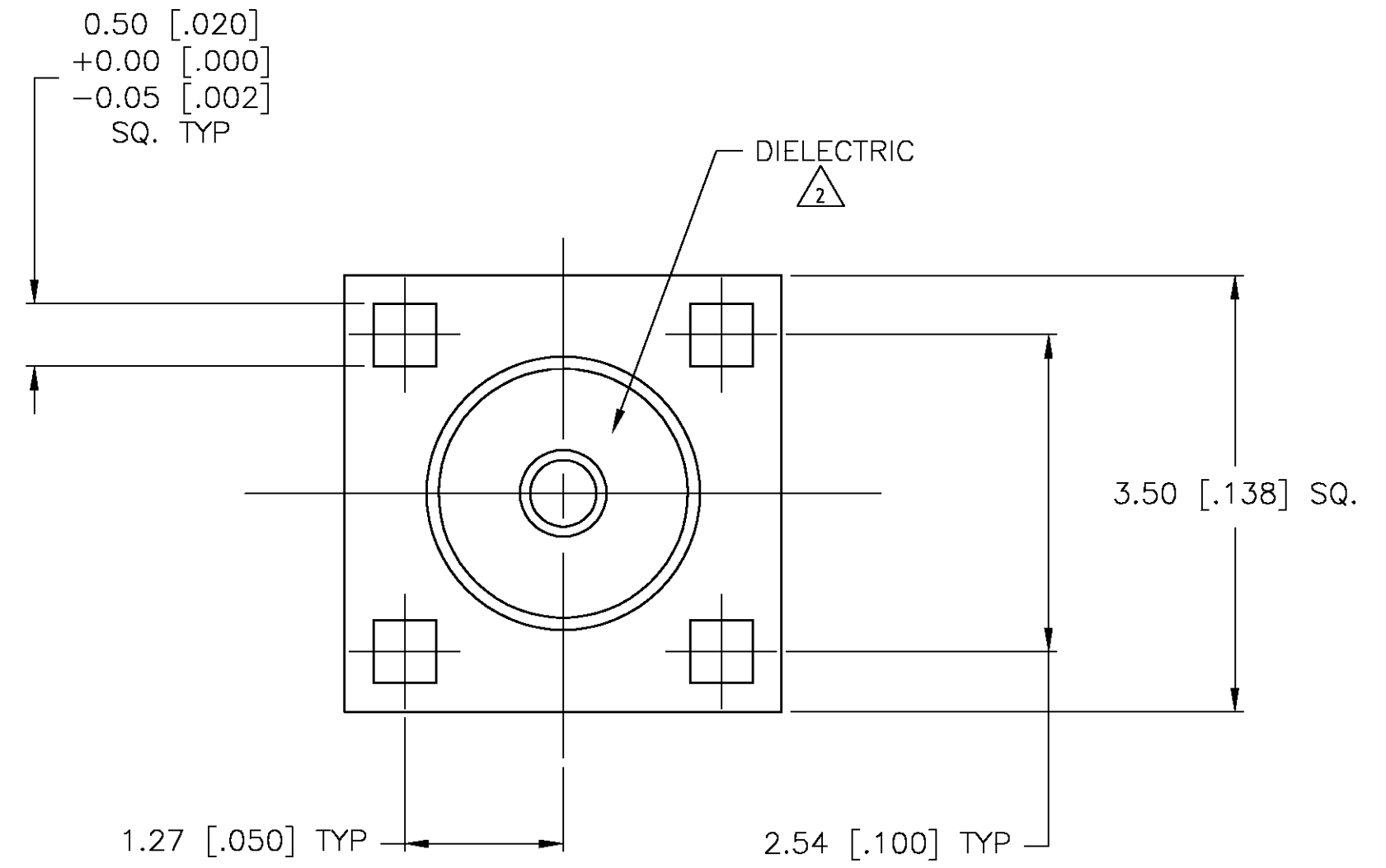
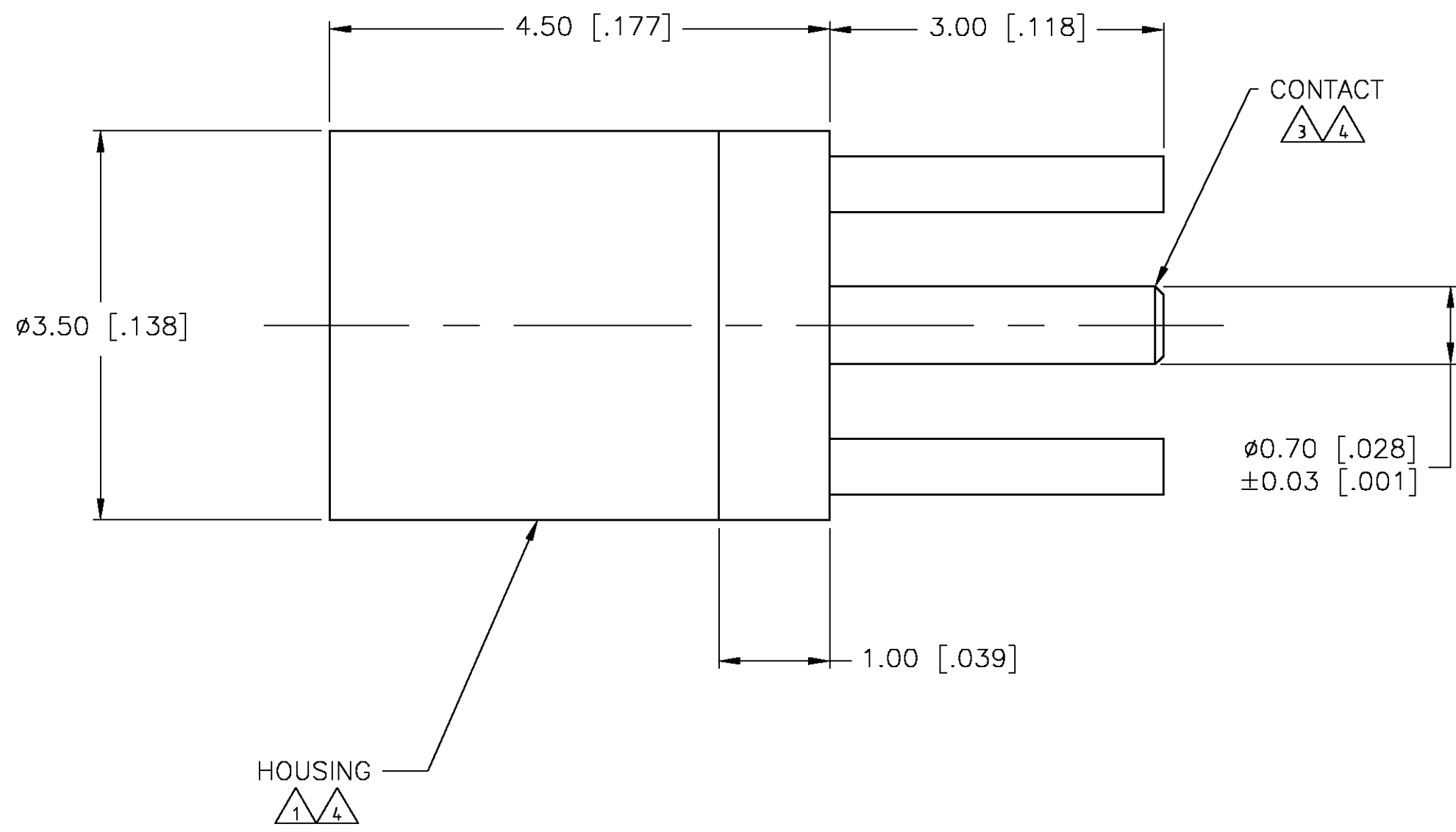


THIS DRAWING IS UNPUBLISHED. RELEASED FOR PUBLICATION
 © COPYRIGHT BY TYCO ELECTRONICS CORPORATION. ALL RIGHTS RESERVED.

Loc		DIST		REVISIONS			
P	LTR	DESCRIPTION	DATE	DWN	APVD		
AJ	-	C	REV PER 0514-0289-03	20JUN03	KW	KW	



- 1 BRASS PER ASTM-B-16
- 2 PTFE PER ASTM-D-1710
- 3 BERYLLIUM COPPER PER ASTM-B-196
- 4 GOLD PLATE PER MIL-G-45204

1408150-1
 PART NUMBER

THIS DRAWING IS A CONTROLLED DOCUMENT.		DWN	18DEC01	Tyco Electronics Corporation Middletown, PA 17057	
DIMENSIONS: MM [INCHES]		CHK	18DEC01		
TOLERANCES UNLESS OTHERWISE SPECIFIED:		APVD	18DEC01		
0 PLC \pm - 1 PLC \pm - 2 PLC ± 0.15 [.006] 3 PLC \pm - 4 PLC \pm - ANGLES $\pm 5^\circ$		NAME	MMCX STRAIGHT PCB JACK		
MATERIAL		PRODUCT SPEC	108-2084	SIZE	A2
FINISH		APPLICATION SPEC	-	CAGE CODE	00779
		WEIGHT	0.45g/.016oz	DRAWING NO	C=1408150
		CUSTOMER DRAWING		RESTRICTED TO	-
		SCALE	20:1	SHEET	1 OF 1
		REV	C		